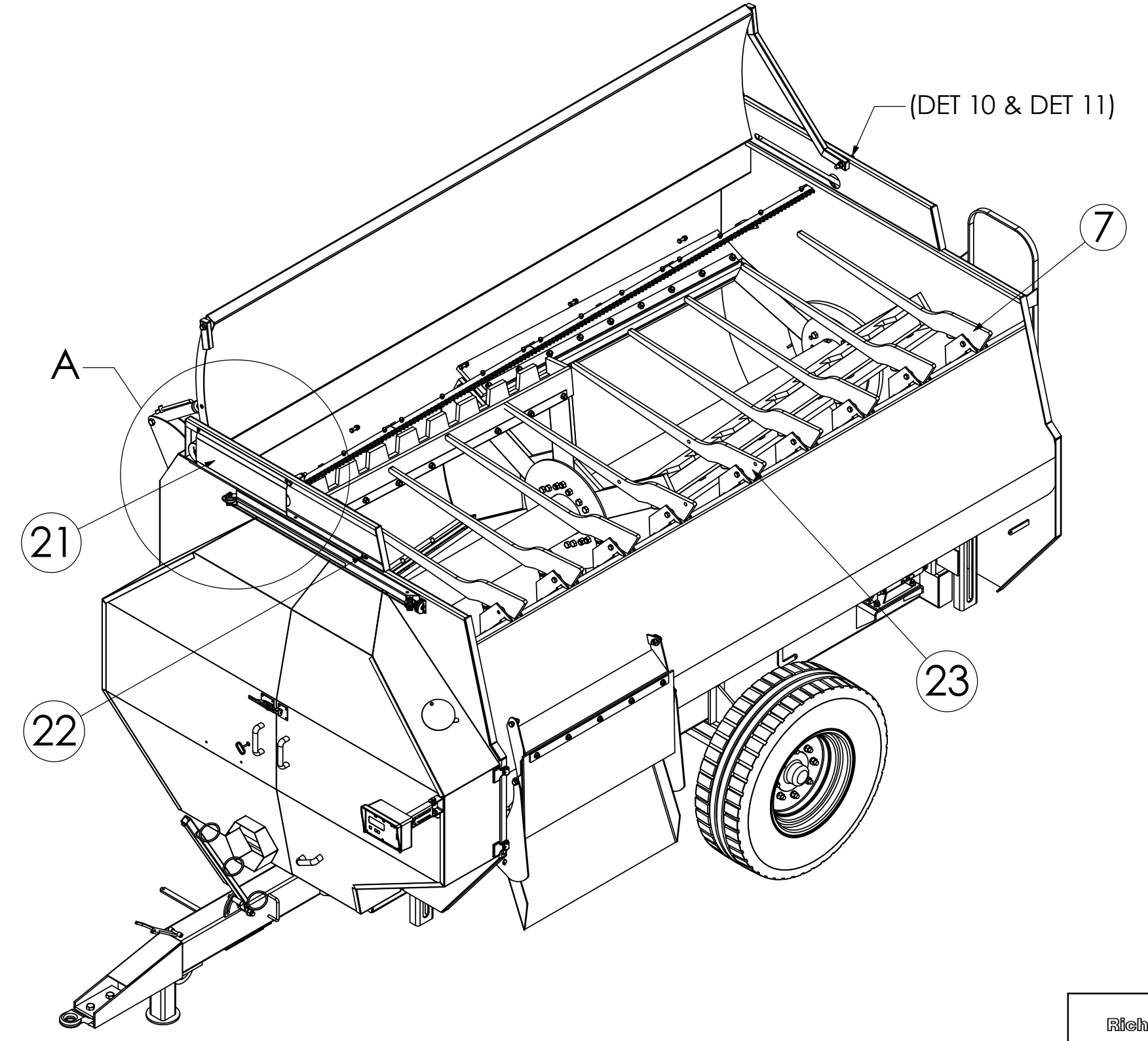
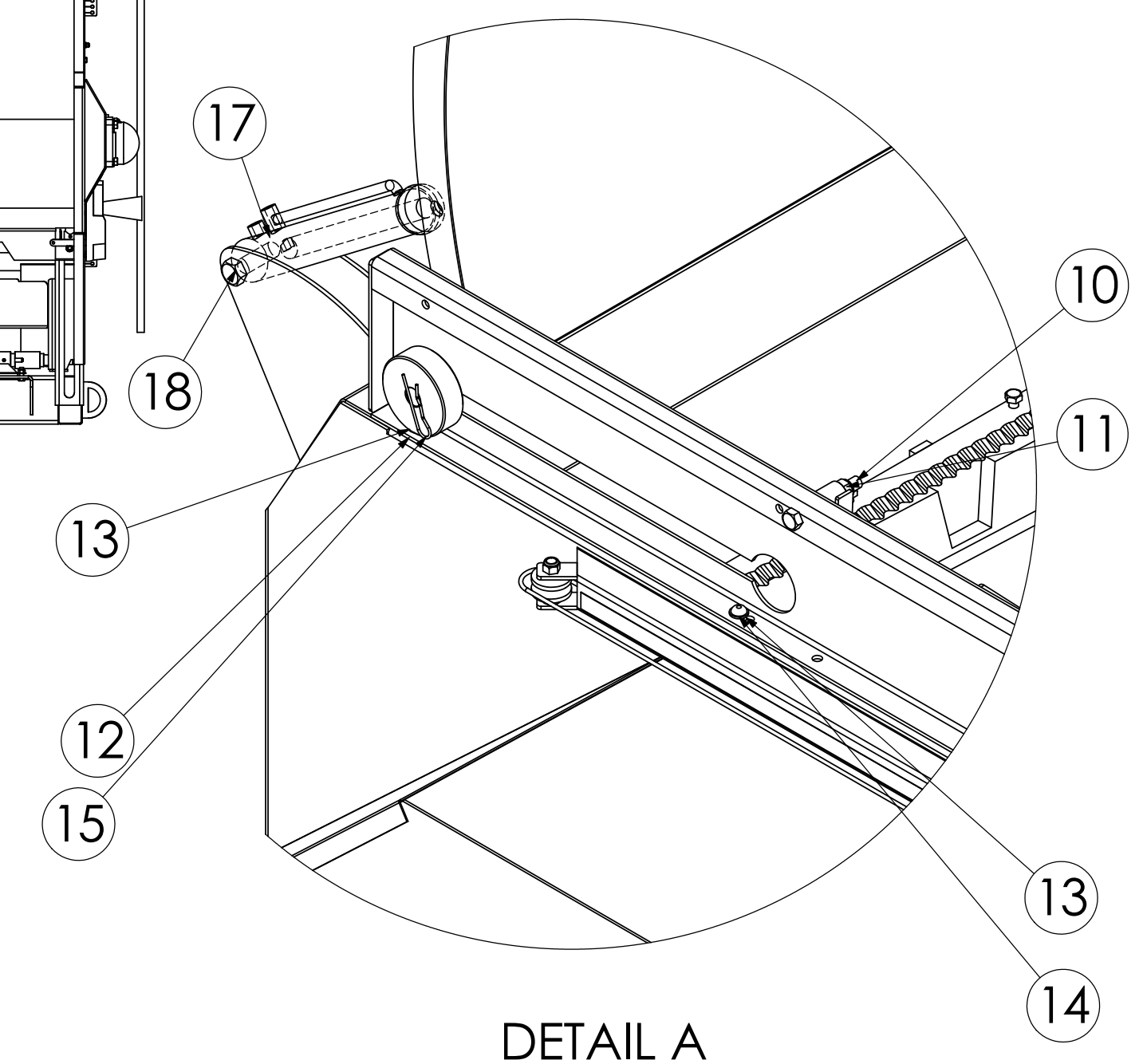
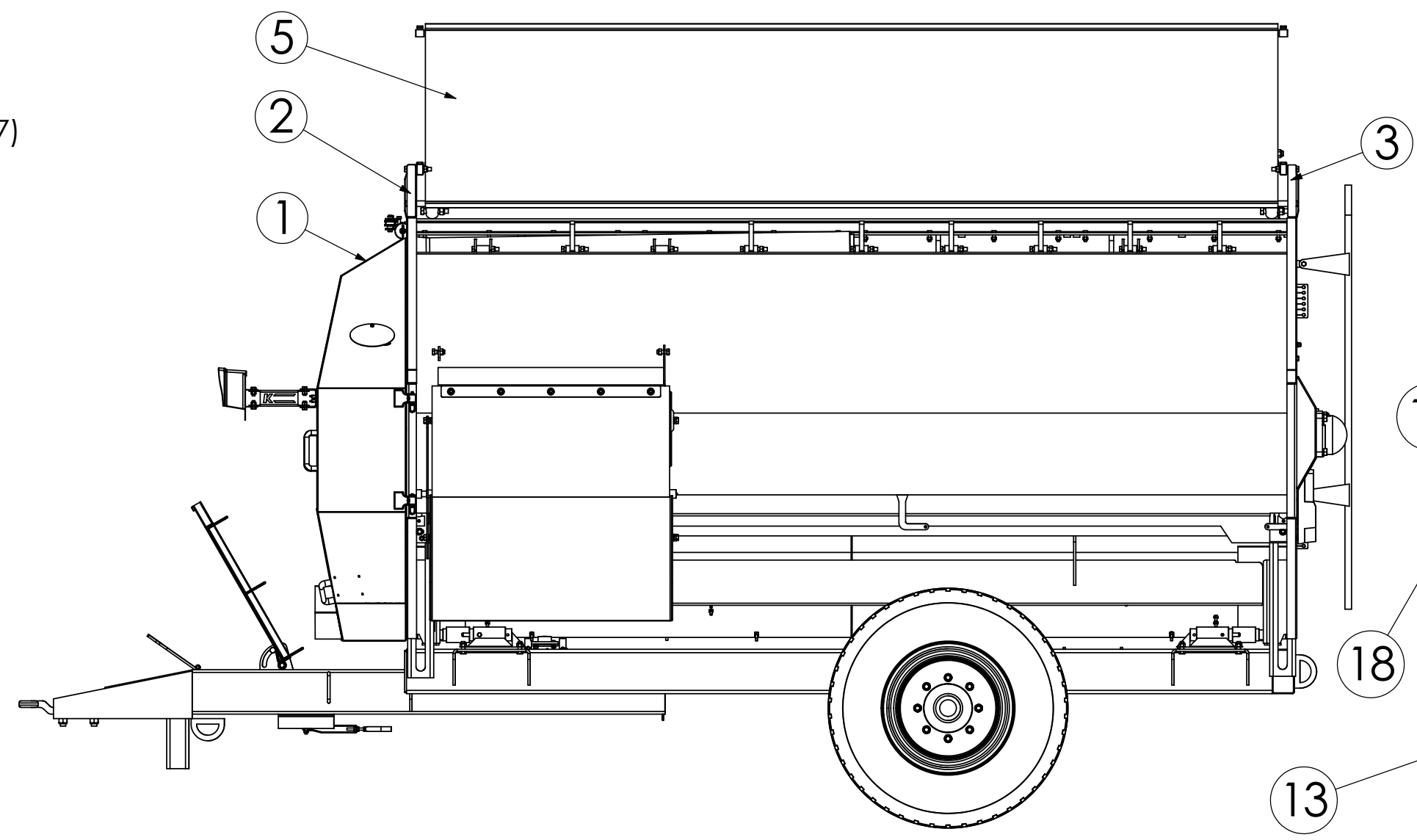
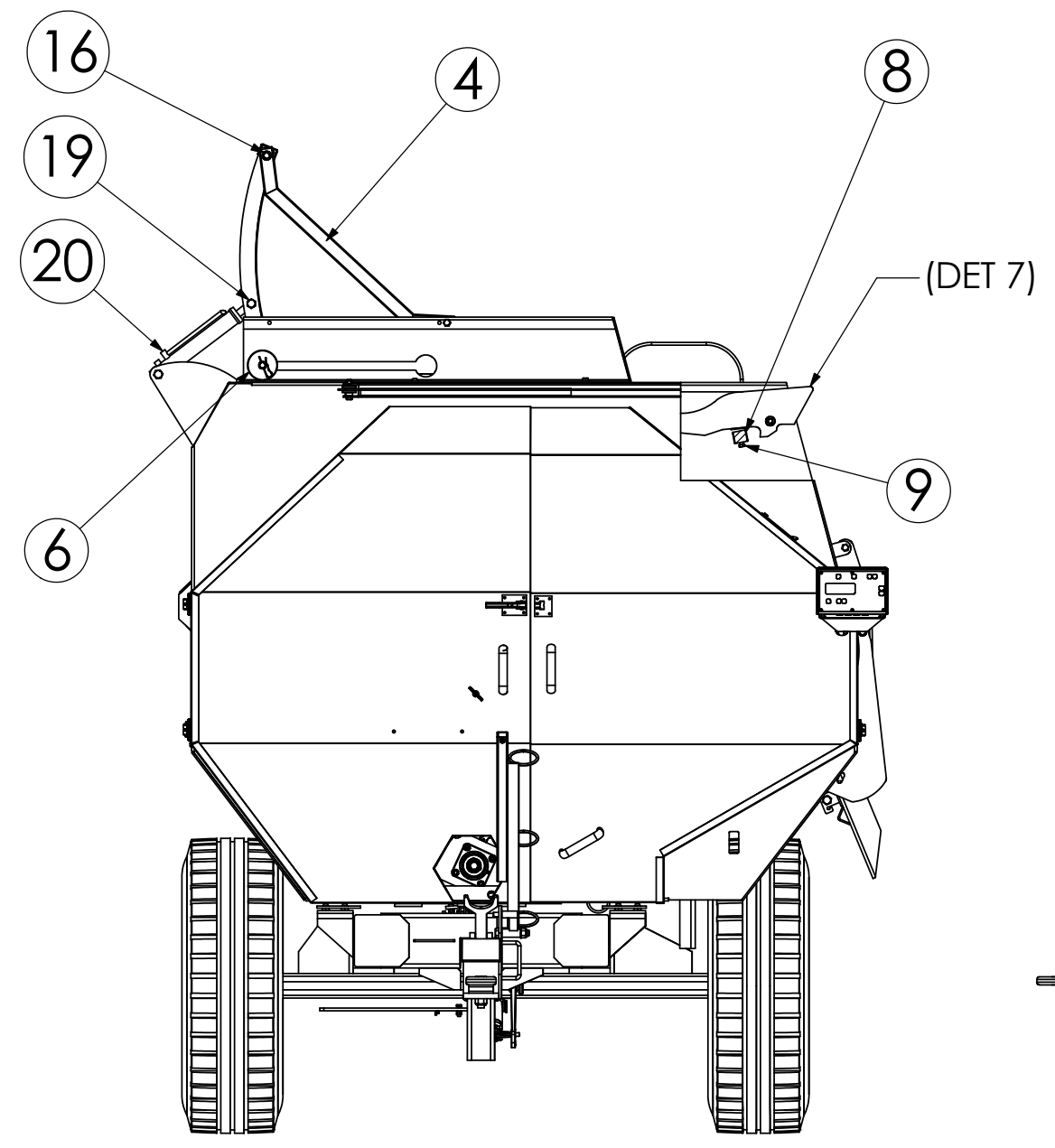


ZONE.	PART REV.	DWG REV.	DATE	ECO.	DESCRIPTION	REV. BY
...
...
...



Item No.	Qty.	Part No.	Description	Material	P.level
1	1	FP140-ass10b	FP140 Rubber and Seal Assembly		
2	1	EF1045-35bF	Bale handler end creel assembly (front)		
3	1	EF1045-35bR	Bale handler end creel assembly (rear)		
4	2	EF1045-103a	Bale handler creel guide cranked arm assembly		
5	1	EF1445-86c	Bale handler creel curved plate assembly		
6	2	703318	Sliding creel guide roller	polypenco round	
7	7	EF1045-82b	Bale handler curved arm profile assembly		
8	3	702550	Bale handler arm stopper		
9	3	700246	M12 X 25 setscrews		
10	11	700269	M16 x 110 bolts		
11	13	700283	M16 lock nut		
12	6	700266	M12 locknuts		
13	6	700730	M12 flat washer		
14	4	700226	M12 x 30 cupheads		
15	2	701162	Safety clip (R-clip)		
16	2	700270	M16 x 120 bolts		
17	4	700305	M20 locknuts		
18	2	701488	M20 x 110 bolts		
19	2	700301	M20 x 80 bolts		
20	2	703306 closed	Bale handler curved creel ram		
21	2	EF1045-109	Bale handler roller cover plate	2mm mild steel plate	700014
22	2	700247	M12 X 30 setscrews		
23	2	US1045-82b	Bale handler curved arm profile assembly for cradle		

Richard Keenan & Co. Ltd

Better Farming - Better Food

Unless otherwise specified all dimensions and tolerances from detail drawings apply to final assemblies.

All dimensions in mm. Drawing not to scale
Bend radius 1 x material thickness
Weld symbols to I.S. EN 22553:1994
General tolerances: linear ±1mm
angular ±1°

Material: *****

Finish: Debur and break sharp edges

This document is the property of Richard Keenan & Co. Ltd. You may not disclose this document or any information in it without express written permission. Neither receipt nor possession of this document alone, from any source, constitutes such permission.

Projection:

Used On: Keenan BH140

Dwg. Date: 10/11/2004 Sheet: 1 of 1
 Drawn By: T.Talbot Dwg Rev: 0
 PE F 010 7.3 A2 Checked:

Title: **FP 140 BALE HANDLER ASSEMBLY**
 Part No./Rev: **FP140-ass11a**